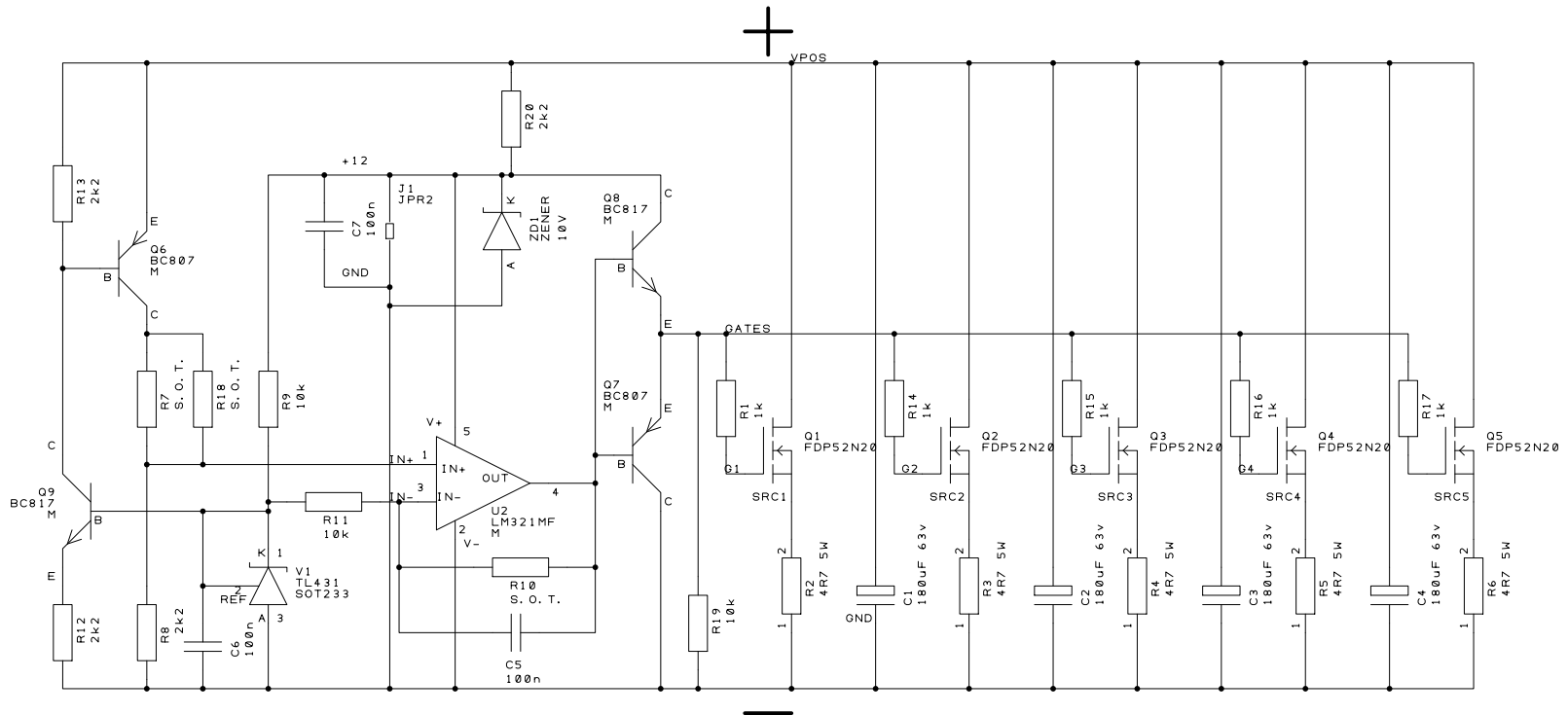


NOTE If connected directly to batteries, remove R20 and ZD1,
and supply 12V switched to jumper J1.
Circuit as drawn assumes battery supply is switched



NOTE R2 to R6 = 4R7 for 48V systems, 2R7 for 24V systems

E	D	C	B	A	Drawn 20th Dec 2017	Check	Projection Do Not Scale		
Drn	Drn	Drn	Drn	Project Over-Voltage Power Dump Jon Freeman			Client		
Chk	Chk	Chk	Chk	Title			Filename	Drawing No.	Sheet of